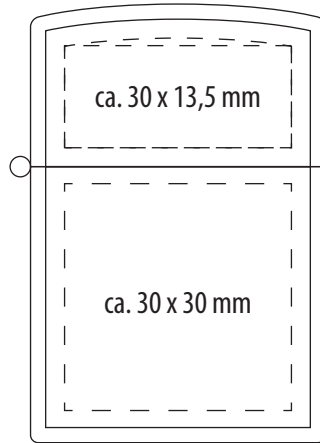


ELECTRIC ARC LIGHTER **REFLECTS-PATERSON** (52288)

front/back



ELECTRIC ARC LIGHTER **REFLECTS-PATERSON** (52288)

front/back

