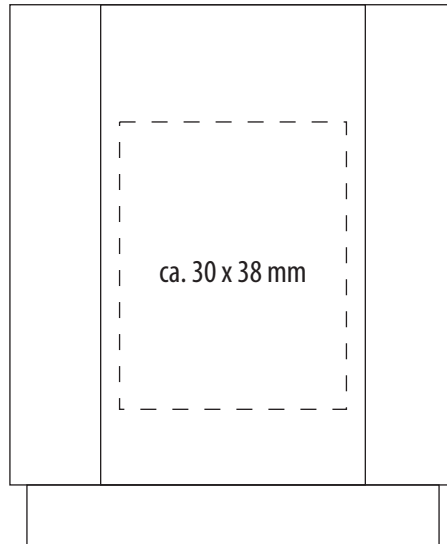
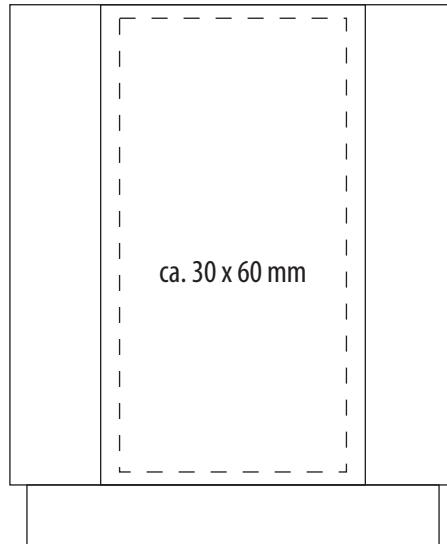


BLUETOOTH®-SPEAKER WITH LIGHT **REFLECTS-GALAWAY** (52361)



Micro USB on opposite side!

BLUETOOTH®-SPEAKER WITH LIGHT **REFLECTS-GALAWAY** (52361)



Micro USB on opposite side!

PAD PRINT